



PORTABLE CASE / WORKSTATION WST-PO-283

Features

Physical

Dimensions (closed): 12.6" H x 24.41" W x 25.2" D
Weight:: 81.6 lbs.

Display

Module: 1 Color active matrix 17" TFT
Resolution: 1280x 1024
Brightness: 235 cd/m2
Contrast ratio: 350:1
Viewing angle: 160°/160°
Display color: 16.7M
Active display area: 337.9 mm x 270.3 mm
Isolation system: elastomeric mounts

Controls

Input signal: DVI
On screen display: Waterproof front panel keyboard
Remote control: 1 RS232 port

Electrical Features

Power input: External 12 Vdc, 115-230 Vac, 50-60 Hz
Power consumption: 30 W

Keyboard

Standard QWERTY-PS2, stored in cover

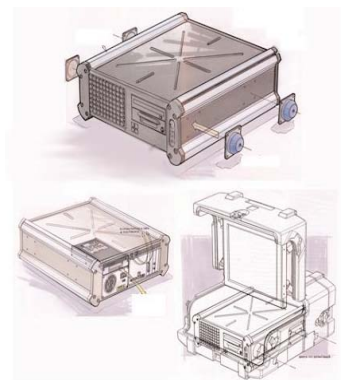
Computer

4U standard 19" rackmount or desktop

Shock & Vibration protected by: Elastomeric mounts

Case

Waterproof and stackable container with clip-locking retractable handles



Environmental Characteristics

Shock: MIL STD 810
Vibration: MIL STD167-810
Sand/Dust, Salt/Fog, Spill/Rain: MIL STD 810E
EMI/RFI: MIL STD 461 D/E
Human factors: MIL STD 1492E
Operating temperature: 0°C to +50°C
Storage temperature: -30°C to +70°C
Humidity : up to 95% (non condensing)
Altitude: 0 to 45000 feet

901D Options

18" TFT LCD Display

Right Hand 17" or 18" monitor with bracketry

Left Hand 17" or 18" monitor with bracketry

Resistive Touch Screen

LCD High brightness 750 cd/m2

PAL NTSC Input

Fully Waterproof

All Features, Environmental Characteristics and Options can be customized to your program requirements