

MILCOTS™ 18" LCD monitor / 4018SX

For industrial and sheltered applications



4018SX model

Traffic control
Supervision
Geographic imaging
Mobile IT
Information
and Command System

Key points

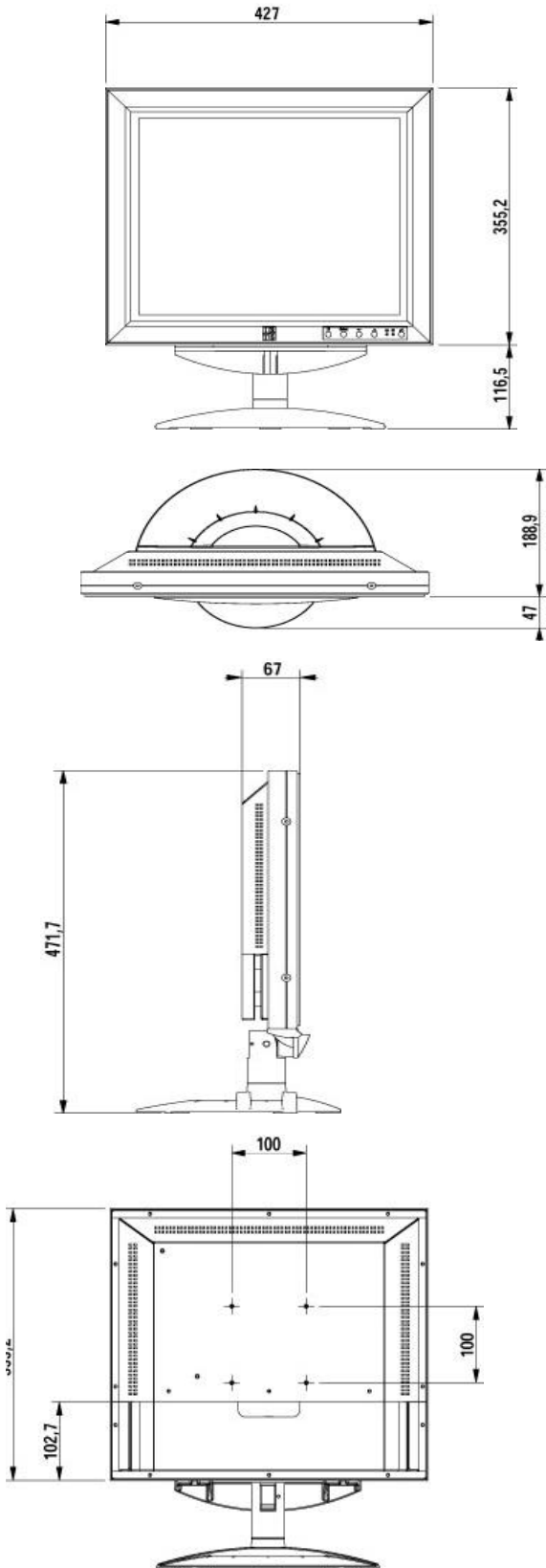
- Quality display (high contrast ratio)
- Lock / cancel OSD
- Remote control
- Non-reflective coated glass, optical quality 92%
- Waterproof mounting
- Durable aluminum packaging (shock and vibration resistant)
- Typical product availability : 8 to 10 years

Options

- Rack mounted or desk integration
- Fully waterproof
- Brightness tuning from 100 to 5% (dimming)
- Touch screen
- Non-reflective coated glass
- On-site backlight replacement
- EMC casing
- Custom colors



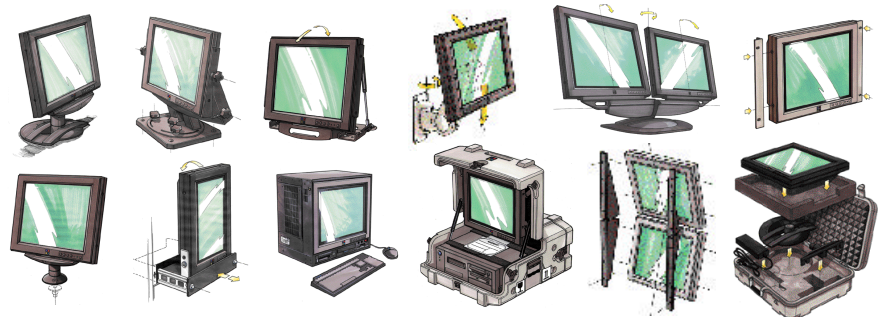
18" LCD monitor / 4018SX



Display module	Color active matrix TFT 18.1"
Resolution :	1280 x 1024
Brightness :	270 cd/m ²
Contrast ratio :	400:1
Dot pitch :	0,280 mm
Viewing angle :	170°/170°
Response time :	40 msec
Display color :	16.7M
Active display area :	359,0 mm x 287,2 mm
Input signals	
Connectors :	DB15 HD
Analogic :	RGB 0,7Vp-p / 75 Ohms
Synchronisation :	H/V separated (TTL) - composite - sync on green
Synchronisation range :	H : 30 KHz to 100 KHz - V : 50 Hz to 100 Hz
Controls	
On Screen Display :	waterproof front panel keyboard
Remote control :	1 RS232 port
Physical features	
Monitor dimensions :	427 mm (W) x 355,2 mm (H) x 67 mm (D)
Moniteur weight :	6,5 kg
Standard color :	RAL 101 (black)
Mechanical standard :	VESA 100
Electrical features (4018SX-1A model)	
Power supply :	external 12 Vdc / 70 W / 115-230 Vac, 50 - 60 Hz
Power consumption :	50 W
EMI / EMC :	FCC part 15
Environmental Conditions	
Operating temperature :	0°C to +50°C
Storage temperature :	-30°C to +70°C
Humidity :	10% to 85%
Altitude :	0 to 45000 feet
Shock :	30 G, 11 ms
Vibration :	MIL-STD 810E
Non-reflective coating glass :	92 %
Front panel protection :	NEMA 4
Options	
TV input (C-VBS) :	1 additional Cinch connector
TV input (S-VHS) :	1 additional mini-DIN connector
glass :	resistive touch screen
Rear casing :	removable cover for cables
Customization	
	specific integrated power supply (MIL-STD 461D)
	IP63 or fully waterproof
Warranty	
	1 year (expandable to 3 and 5 years)

Mounting devices

In stock or manufactured with order



Available in other monitor sizes and can be adapted to fit the model shown.

