

# MILCOTS™ 20" LCD monitor / 4020UX-H

## For Industrial and Sheltered Applications



4020UX-H model

Traffic control

Supervision

Geographic imaging

Mobile IT

Information

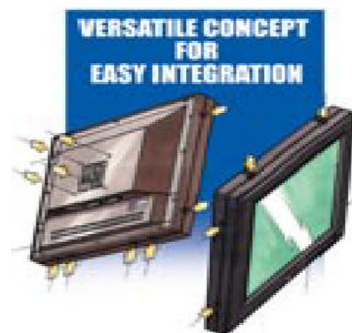
and Command System

### Key points

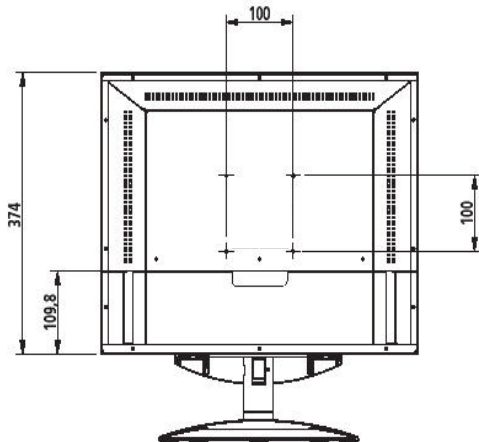
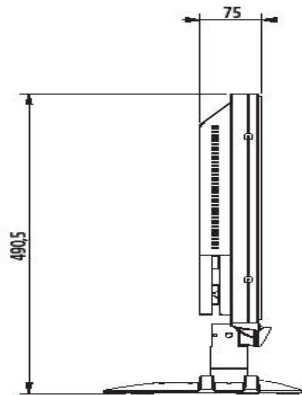
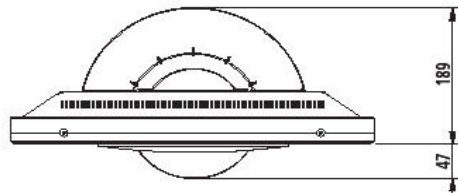
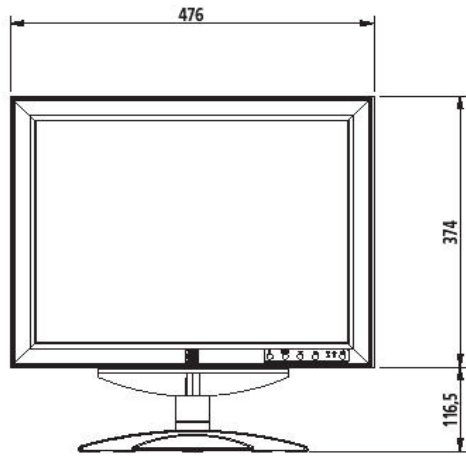
- Quality display (high contrast ratio)
- Lock / cancel OSD
- Remote control
- Adapted non-reflective coated glass, optical quality 92%
- Waterproof mounting
- Durable aluminum packaging (shock and vibration resistant)
- Typical product availability: 8 to 10 years

### Options

- Fully waterproof
- Brightness tuning from 100 to 5% (dimming)
- Touch screen
- Adapted non-reflective coated glass
- EMC casing
- Custom colors



# 20" LCD monitor / 4020UX-H



## Display module

Resolution :	1600 x 1200
Brightness :	220 cd/m <sup>2</sup>
Contrast ratio :	350:1
Dot pitch :	0.01" (.255 mm)
Viewing angle :	170°/170°
Response time :	20 msec
Display color :	16.7 M
Active display area :	16" x 12" ( 406 mm x 306 mm)

## Input signals

Connectors :	DB15 HD
Analogic :	RGB 0,7Vp-p / 75 Ohms
Synchronisation :	H/V separated (TTL) – composite – sync on green
Synchronisation range :	H : 30 KHz to 100 KHz - V : 50 Hz to 100 Hz

## Controls

On Screen Display:	waterproof front panel keyboard
Remote control:	1 RS232 port

## Physical Features

Monitor dimensions :	W: 18.75" (476 mm) x H: 14.74" (374 mm) x D:2.96" (75 mm)
Monitor weight :	20.94 lbs (9,5 kg)
Standard color:	RAL 101 (black)
Mechanical standard:	VESA 100

## Electrical Features

Power supply :	internal 115-230 Vac, 50 - 60 Hz
Power consumption :	70 W
EMI / EMC :	FCC part 15

## Environmental Conditions

Operating temperature :	32° to 122° (0 °C to +50 °C)
Storage temperature :	-22° (-30 °C to +70 °C)
Humidity :	0 % to 95 % (non condensing)
Altitude :	0 to 45 000 feet
Shock :	30 G, 11 ms
Vibration :	MIL-STD 810E
Non-reflective coating glass:	92%
Front panel protection :	IP65

## Options

TV input (C-VBS) :	1 additional Cinch connector
TV input (S-VHS) :	1 additional mini-DIN connector
Glass :	resistive touch screen
Rear casing :	removable cover for cables

## Customization

(MIL-STD 461D)  
IP63 or total, waterproof configuration

## Mounting devices

in stock standard or custom design

## Warranty

1 year (expandable to 3 and 5 years)



Available in other monitor sizes and can be adapted to fit the model shown

