

# MILCOTS™ 20" LCD monitor / 4020UX

## For Industrial and Sheltered Applications



4020UX model

Traffic control

Supervision

Geographic imaging

Mobile IT

Information

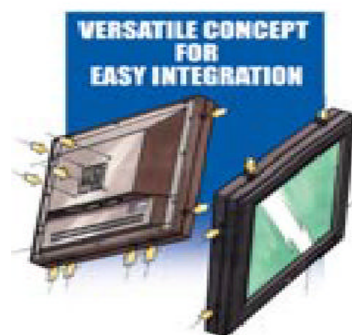
and Command System

### Key points

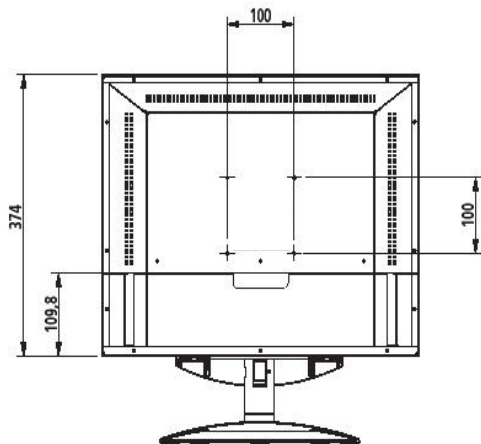
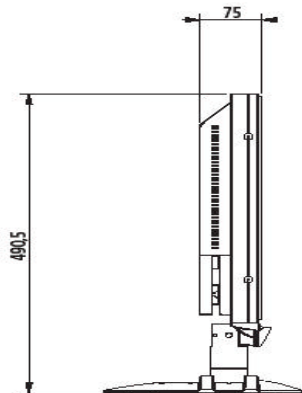
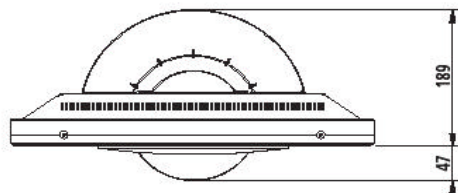
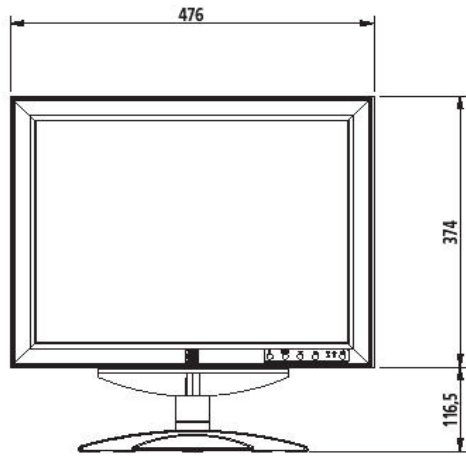
- Quality display (high contrast ratio)
- Lock / cancel OSD
- Remote control
- Adapted non-reflective coated glass, optical quality 92%
- Waterproof mounting
- Durable aluminum packaging (shock and vibration resistant)
- Typical product availability: 8 to 10 years

### Options

- Fully waterproof
- Brightness tuning from 100 to 5% (dimming)
- Touch screen
- Adapted non-reflective coated glass
- EMC casing
- Custom colors



# 20" LCD monitor / 4020UX



**Display module**  
 Resolution : 1600 x 1200  
 Brightness : 220 cd/m<sup>2</sup>  
 Contrast ratio : 350:1  
 Dot pitch : 0.01" (.255 mm)  
 Viewing angle : 170°/170°  
 Response time : 20 msec  
 Display color : 16.7 M  
 Active display area : 16" x 12" ( 406 mm x 306 mm)

**Input signals**  
 Connectors : DB15 HD  
 Analogic : RGB 0,7Vp-p / 75 Ohms  
 Synchronisation : H/V separated (TTL) – composite – sync on green  
 Synchronisation range : H : 30 KHz to 100 KHz - V : 50 Hz to 100 Hz

**Controls**  
 On Screen Display : waterproof front panel keyboard  
 Remote control : 1 RS232 port

**Physical Features**  
 Monitor dimensions : W: 18.75" (476 mm) x H: 14.74" (374 mm) x D:2.96" (75 mm)  
 Monitor weight : 20.94 lbs (9,5 kg)  
 Standard color: RAL 101 (black)  
 Mechanical standard: VESA 100

**Electrical Features (4020SX-1A model)**  
 Power supply : external 12 Vdc / 70W / 115-230 Vac, 50 - 60 Hz  
 Power consumption : 60 W  
 EMI / EMC : FCC part 15

**Environmental Conditions**  
 Operating temperature : 32° to 122° (0 °C to +50 °C)  
 Storage temperature : -22° (-30 °C to +70 °C)  
 Humidity : 10 % to 85 %  
 Altitude : 0 to 45 000 feet  
 Shock : 30 G, 11 ms  
 Vibration : MIL-STD 810E  
 Non-reflective coating glass: 92%  
 Front panel protection : IP65

**Options**  
 TV input (C-VBS) : 1 additional Cinch connector  
 TV input (S-VHS) : 1 additional mini-DIN connector  
 Glass : resistive touch screen  
 Rear casing : removable cover for cables

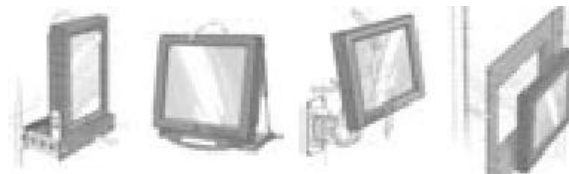
**Customization**  
 Specific integrated power supply (MIL-STD 461D)  
 IP63 or total, waterproof configuration

**Mounting devices**  
 in stock standard or custom design

**Warranty**  
 1 year (expandable to 3 and 5 years)



Available in other monitor sizes and can be adapted to fit the model shown



MILCOTS- 02/2003. All rights reserved. All products names are trademarks of their respective owners. Information is subject to change without notice.

MILCOTS • 360 Korean Veterans Memorial Highway • Village of Airmont • NY 10901 • Tel: 1 845 357 6700 • Fax: 845 369 0531  
 info@milcots.com • www.milcots.com